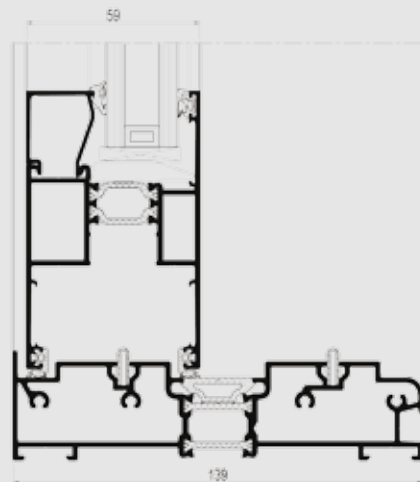




CP 130

Aesthetic functionality



The new CP 130 sliding and lift & slide elements gives a wide variety of possibilities along with high performance and enhanced burglar resistance. The system is not only functional, but also offers an economical and aesthetic solution with slimline middle section. An additional asset of the system is the option to use it in combination with the Ventalis system.

The CP 130 is based on CS 68, and as such, further improves fabrication time, logistics and compatibility with the current product range. The fabrication and transportation are simplified further because all configurations (slide and lift slide monorail, 2-rail and 3-rail) are combined in one single design.

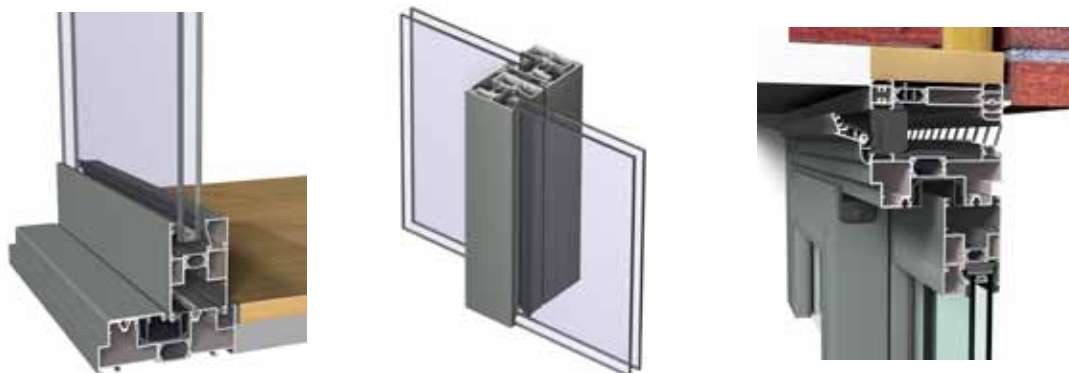
The optimised threshold solution, the enriched insulation value of $2.78 \text{ W/m}^2\text{K}$ and the possibility to use thicker glass with a weight up to 300 kg, underline the contemporary characteristics of CP 130.



TECHNICAL CHARACTERISTICS						
Style variants		CP 130 MONORAIL	CP 130 2-RAIL	CP 130 3-RAIL	CP 130-LS 2-RAIL	CP 130-LS 3-RAIL
Visible width / height	Frame	50 mm	50 mm	50 mm	28-35-40 mm	28-35-40 mm
	Vent	94 mm	94 mm	94 mm	94 mm	94 mm
	T-profile	From 76 mm till 115 mm	From 76 mm till 115 mm	From 76 mm till 115 mm	From 76 mm till 115 mm	From 76 mm till 115 mm
	Meeting section	69 - 98 mm	69 - 98 mm	69 - 98 mm	69 - 98 mm	69 - 98 mm
Overall system depth	Frame	130 mm	130 mm	181 mm	139 mm	210 mm
	Vent	59 mm	59 mm	59 mm	59 mm	59 mm
Rebate height		25 mm	25 mm	25 mm	25 mm	25 mm
Glass thickness		Up to 44 mm	Up to 44 mm	Up to 44 mm	Up to 44 mm	Up to 44 mm
Glazing method		Dry glazing with EPDM or neutral silicones				
Thermal insulation		23 mm and 32 mm glass fibre reinforced polyamide strips				

CP 130

Low threshold	Slimline middle section	Ventalis integration
---------------	-------------------------	----------------------



PERFORMANCES												
ENERGY												
	Thermal insulation ⁽¹⁾	Uf of 2.78 W/m ² K depending on frame vent combination										
COMFORT												
	Air tightness, max. test pressure ⁽²⁾ EN 12207	1 (150 Pa)		2 (300 Pa)		3 (600 Pa)		4 (600 Pa)				
	Water tightness ⁽³⁾ EN 12208	1A (0 Pa)	2A (50 Pa)	3A (100 Pa)	4A (150 Pa)	5A (200 Pa)	6A (250 Pa)	7A (300 Pa)	8A (450 Pa)	9A (600 Pa)	E900 (900 Pa)	
	Wind load resistance, max. test pressure ⁽⁴⁾ EN 12211; EN 12210	1 (400 Pa)		2 (800 Pa)		3 (1200 Pa)		4 (1600 Pa)		5 (2000 Pa)		Exxx (> 2000 Pa)
	Wind load resistance to frame deflection ⁽⁴⁾ EN 12211; EN 12210	A (≤1/150)			B (≤1/200)			C (≤1/300)				
SAFETY												
	Burglar resistance ⁽⁵⁾ ENV 1627; ENV 1630	WK 1			WK 2			WK 3				

This table shows possible classes and values of performances. The values indicated in red are the ones relevant to this system.

- (1) The Uf-value measures the heat flow. The lower the Uf-value, the better the thermal insulation of the frame.
- (2) The air tightness test measures the volume of air that would pass through a closed window at a certain air pressure.
- (3) The water tightness testing involves applying a uniform water spray at increasing air pressure until water penetrates the window.
- (4) The wind load resistance is a measure of the profile's structural strength and is tested by applying increasing levels of air pressure to simulate the wind force. There are up to five levels of wind resistance (1 to 5) and three deflection classes (A,B,C). The higher the number, the better the performance.
- (5) The burglar resistance is tested by statistical and dynamic loads, as well as by simulated attempts to break in using specified tools.

